



## Features:

- Triac dimmable
- Suitable for most leading/ trailing edge dimming
- Constant current and constant voltage design
- Protections: Short circuit/ Overload/ Over voltage
- Built-in PFC function (PFC>0.95)
- Cooling by free air convection
- Up to 80% efficiency
- Fully isolated, delivering up to 45W of power

Model No.	ELED-45-700T	ELED-45-900T	ELED-45-1200T	ELED-45-1500T
Input Voltage Range	100-240VAC			
AC Frequency	48-62Hz			
Output Mode	Constant Current			
Output Current	700mA	900mA	1200mA	1500mA
Output Voltage	33-65V	25-50V	19-38V	15-30V
Output Power	45W Max			
Power Factor	>0.95			
Inrush current	60A max, for up to 100µs (microseconds)			
Efficiency	>82%			
Operating Temperature	-30°C+45°C			
Relative Humidity	5-95%			
Isolation Voltage	In/ Out 3000VAC			
Vibration	5-55Hz/ 2g, 30minutes			
EMI	EN55022, EN55015 Class B			
Safety	EN61347-1, EN61347-2-13			
Electromagnetic Immunity	EN61547, EN55024, EN61000-4-2, 3, 4, 6, 8, 11			
Harmonic Current Emissions	EN61000-3-2, EN61000-3-3			
Dimensions (mm)	170x 50x 31			

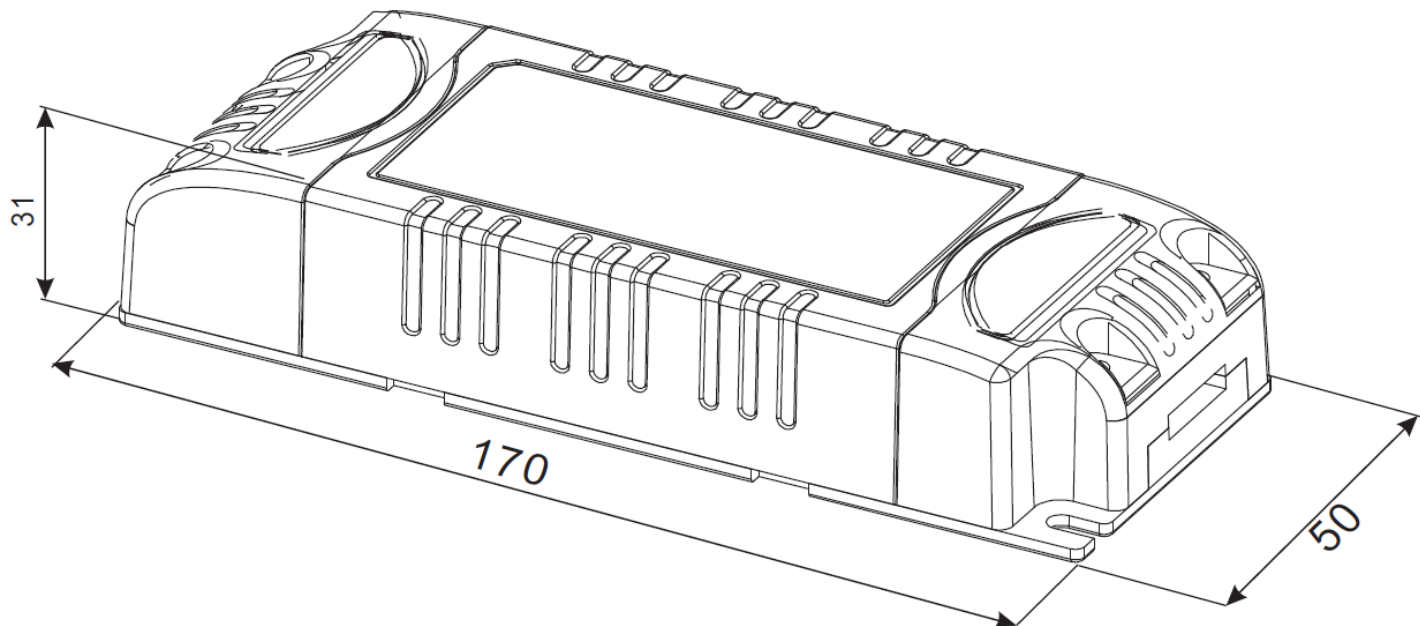


## Features:

- Triac dimmable
- Suitable for most leading/ trailing edge dimming
- Constant current and constant voltage design
- Protections: Short circuit/ Overload/ Over voltage
- Built-in PFC function (PFC>0.95)
- Cooling by free air convection
- Up to 80% efficiency
- Fully isolated, delivering up to 45W of power

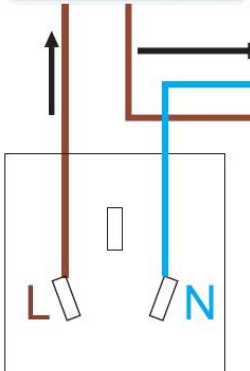
Model No.	ELED-45-12T	ELED-45-24T	ELED-45-36T	ELED-45-48T
Input Voltage Range	100-240VAC			
AC Frequency	48-62Hz			
Output Mode	Constant Voltage			
Output Current	3000mA	1800mA	1200mA	940mA
Output Voltage	12V	24V	36V	48V
Output Power	45W Max			
Power Factor	>0.95			
Inrush current	60A max, for up to 100µs (microseconds)			
Efficiency	>82%			
Operating Temperature	-30°C+45°C			
Relative Humidity	5-95%			
Isolation Voltage	In/ Out 3000VAC			
Vibration	5-55Hz/ 2g, 30minutes			
EMI	EN55022, EN55015 Class B			
Safety	EN61347-1, EN61347-2-13			
Electromagnetic Immunity	EN61547, EN55024, EN61000-4-2, 3, 4, 6, 8, 11			
Harmonic Current Emissions	EN61000-3-2, EN61000-3-3			
Dimensions (mm)	170x 50x 31			

### Dimensions Chart(mm)



### Wiring Schematic

Dimmer



LED Lamp



Output



100-240V/AC